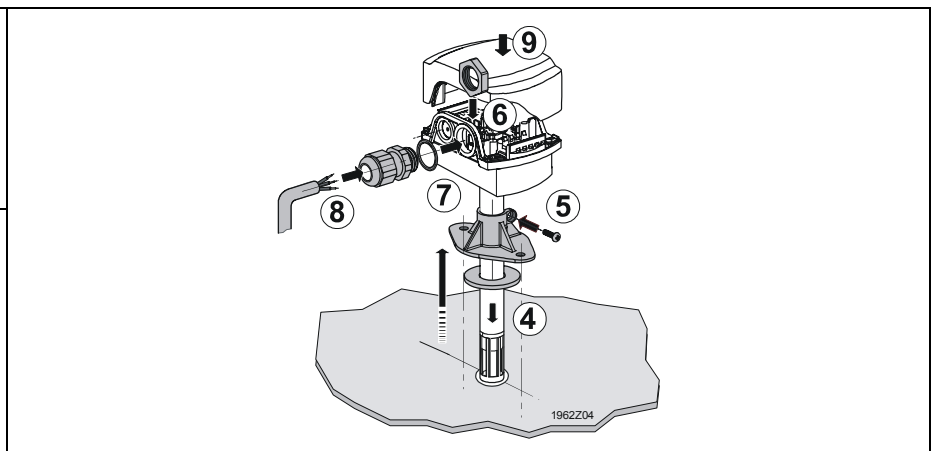
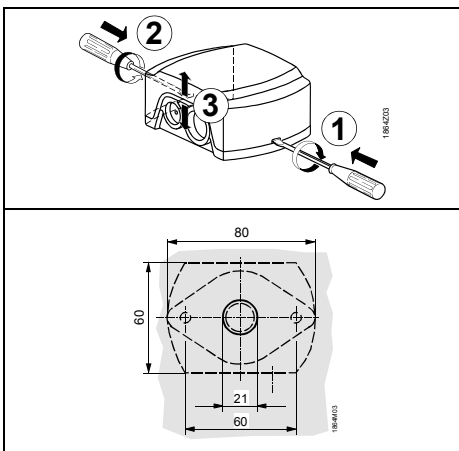
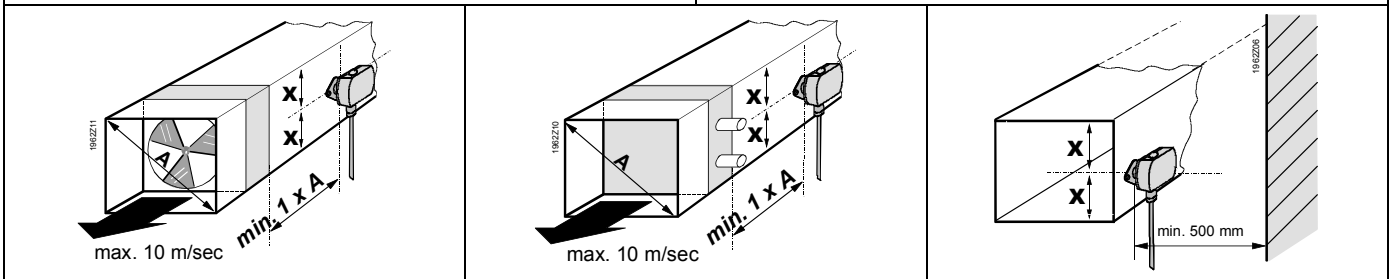
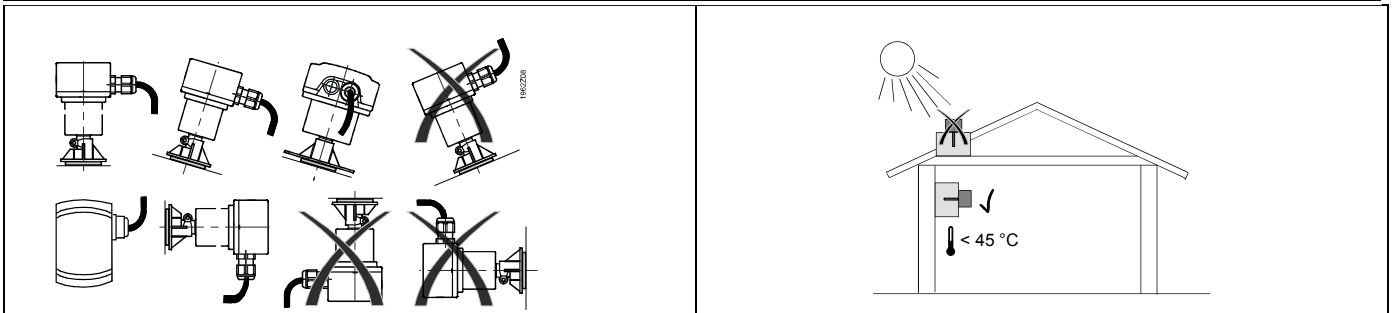
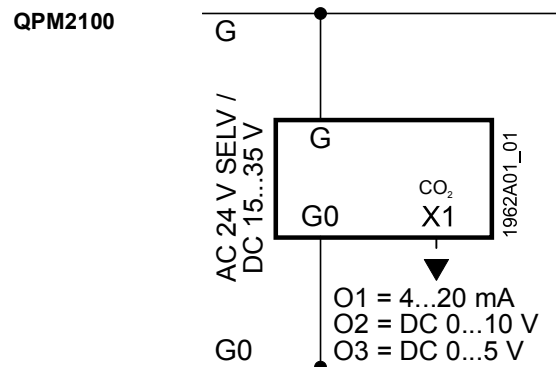
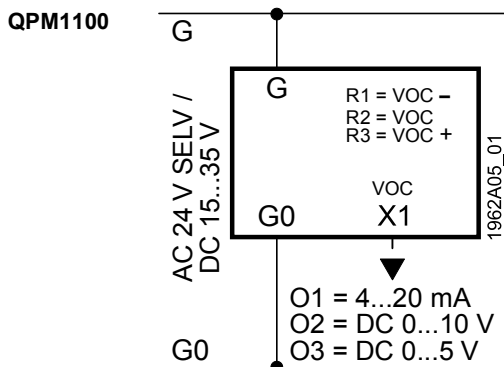


- de** Montageanleitung
- en** Mounting instructions
- fr** Instructions de montage
- sv** Monteringsinstruktion
- nl** Montage-aanwijzing
- it** Istruzioni di montaggio
- fi** Asennusohje
- es** Instrucciones de montaje
- da** Monteringsvejledning

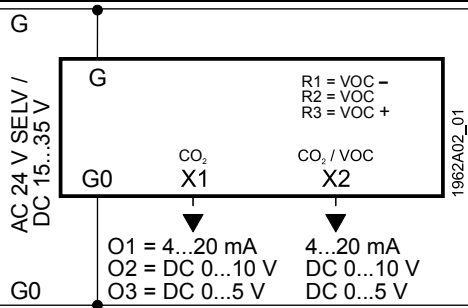
QPM11.. QPM21..



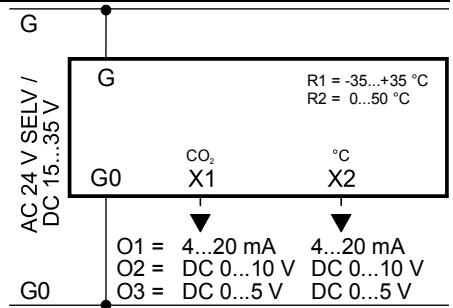
G	AC 24 V \pm 20% / DC 15...35 V	
G0	GND	
X	4...20 mA / DC 0...10 V / 0...5 V	



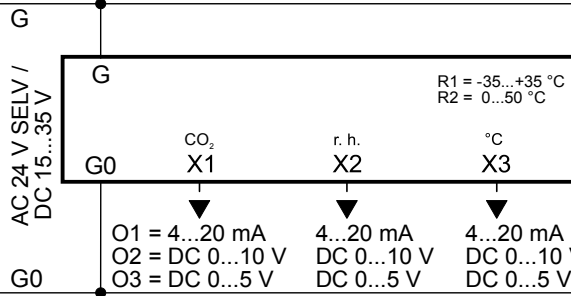
QPM2102
QPM2102D



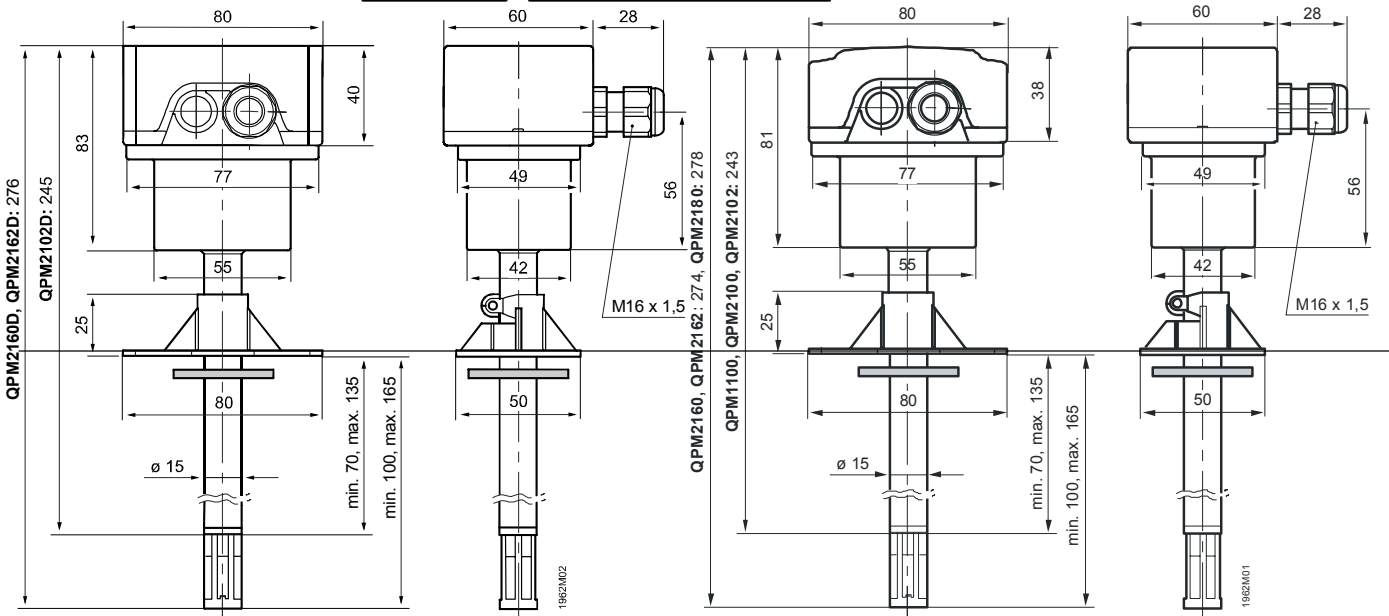
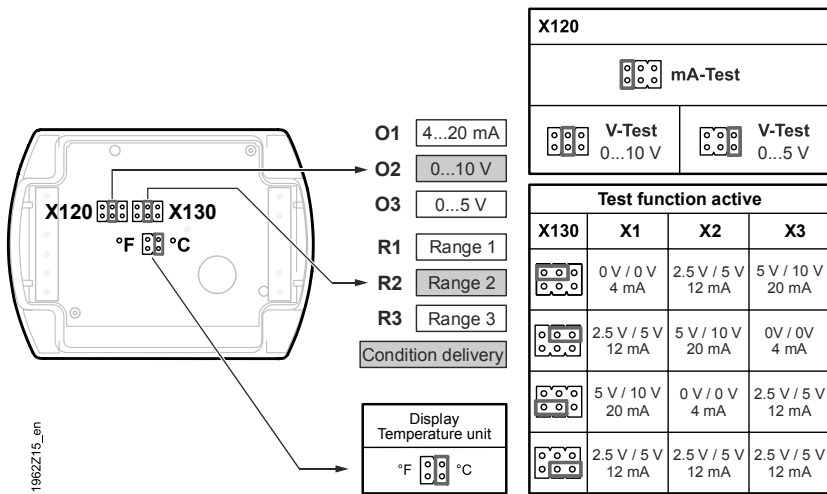
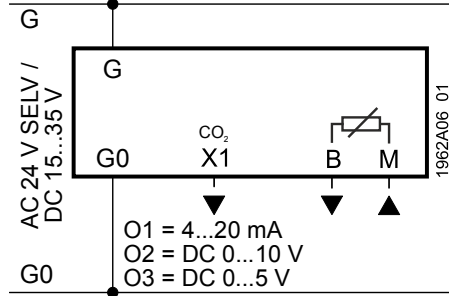
QPM2160
QPM2160D



QPM2162
QPM2162D



QPM2180



Masse in mm Dimensions en mm Mål i mm Afmetingen in mm Mitat mm
Dimensions in mm Dimensiones en mm Mått i mm Dimensioni in mm

Published by:
Siemens Switzerland Ltd.
Building Technologies Division
International Headquarters
Theilerstrasse 1a
6300 Zug
Switzerland
Tel. +41 58-724 24 24
www.siemens.com/buildingtechnologies

© Siemens Switzerland Ltd 2005
Delivery and technical specifications subject to change