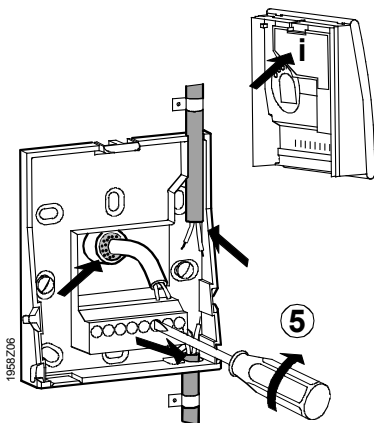
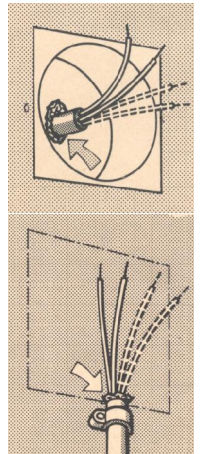
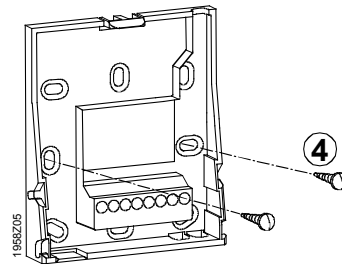
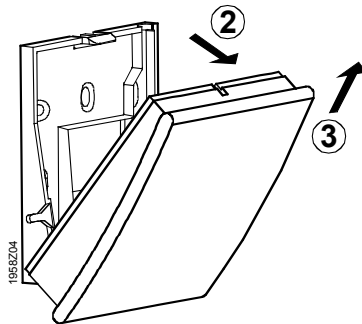
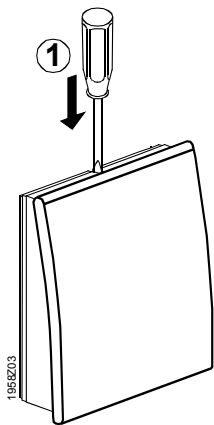
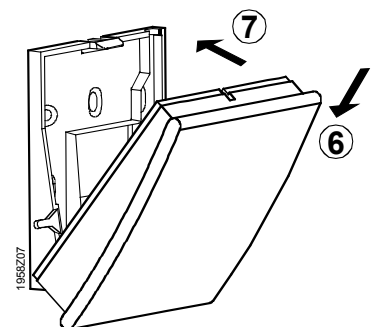


- de** Montageanleitung
- en** Mounting instructions
- fr** Instructions de montage
- sv** Monteringsinstruktion
- nl** Montage-aanwijzing
- it** Istruzioni di montaggio
- fi** Asennusohje
- es** Instrucciones de montaje
- da** Monteringsvejledning

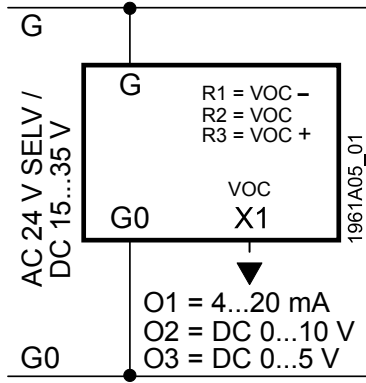
## QPA10.. QPA20..



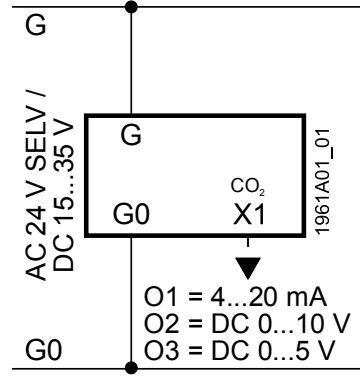
	min.	max.
	0.25 mm <sup>2</sup>	1 x 1.5 mm <sup>2</sup>
	0.25 mm <sup>2</sup>	2 x 1.5 mm <sup>2</sup>
	⚠	



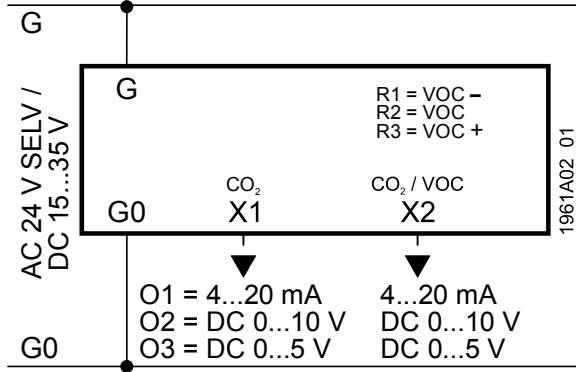
**QPA1000**



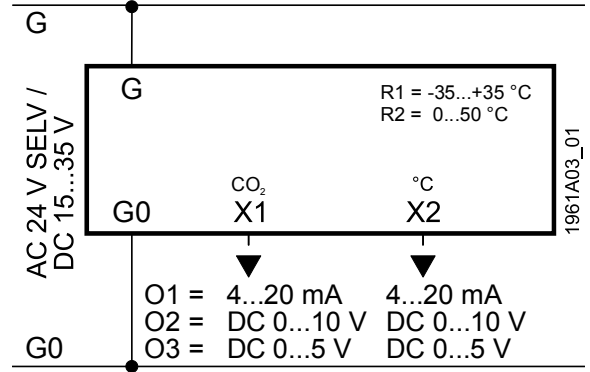
**QPA2000**



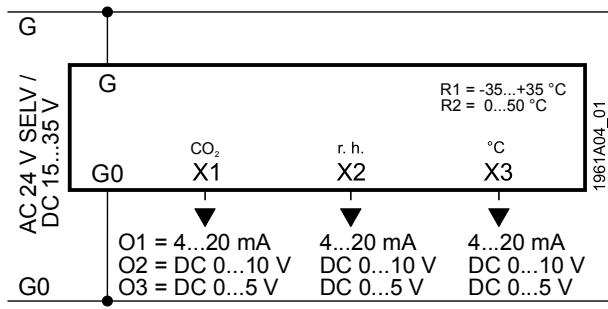
**QPA2002, QPA2002D**



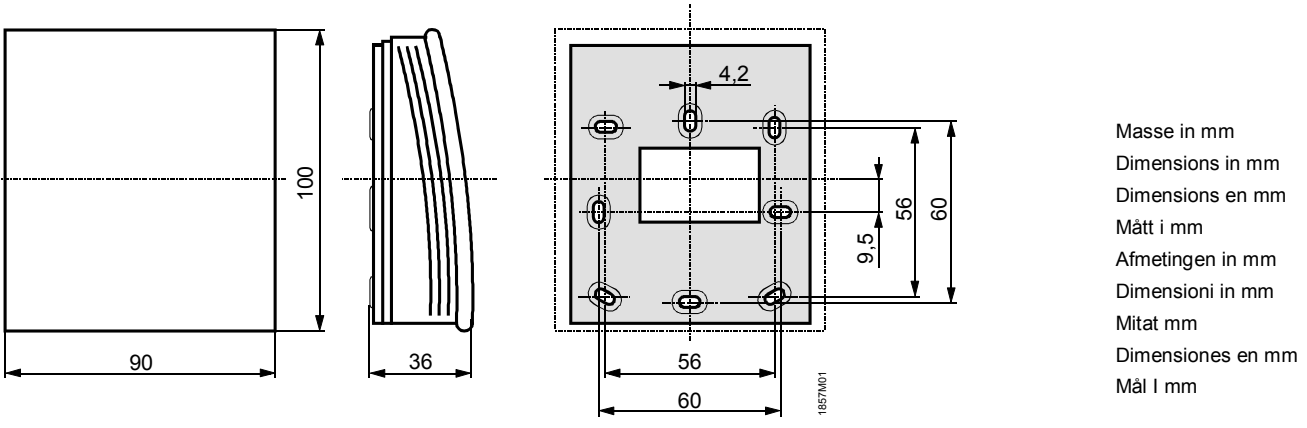
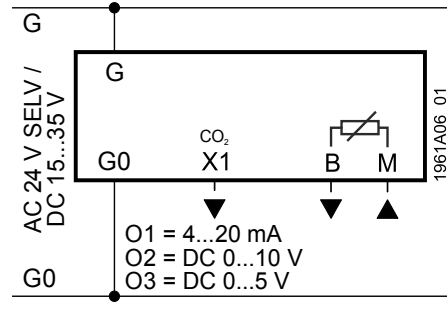
**QPA2060, QPA2060D**



**QPA2062, QPA2062D**



**QPA2080, QPA2080D**



Masse in mm  
 Dimensions in mm  
 Dimensions en mm  
 Mått i mm  
 Afmetingen in mm  
 Dimensioni in mm  
 Mitat mm  
 Dimensiones en mm  
 Mål i mm

Published by:  
 Siemens Switzerland Ltd.  
 Building Technologies Division  
 International Headquarters  
 Theilerstrasse 1a  
 6300 Zug  
 Switzerland  
 Tel. +41 58-724 24 24  
[www.siemens.com/buildingtechnologies](http://www.siemens.com/buildingtechnologies)

© Siemens Switzerland Ltd 2005  
 Delivery and technical specifications subject to change