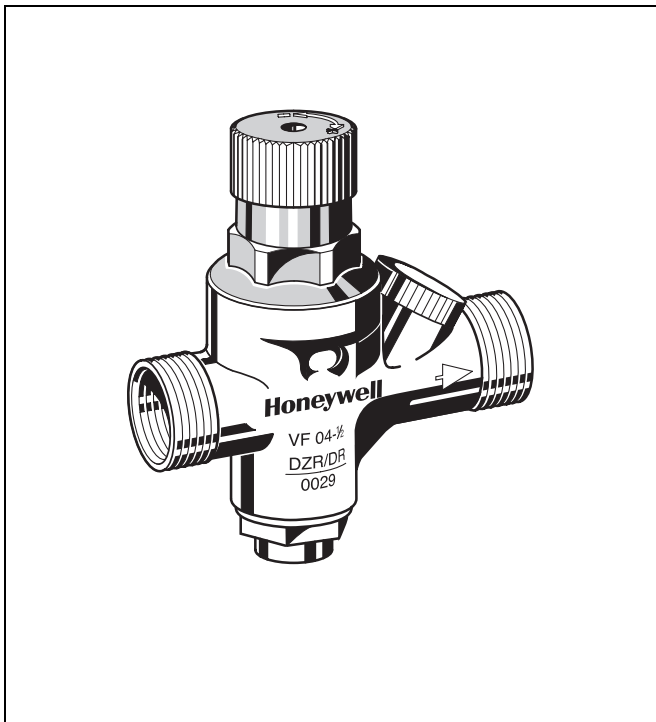


VF04

Filling valve for closed heating systems

Product specification sheet



Construction

The filling valve comprises:

- Housing with pressure gauge connection G $1/4$ "
- Spring bonnet with adjustment knob
- Green adjustment knob
- Pressure reducing valve
- Check valve cartridge
- Shutoff insert

Materials

- Brass housing, dezincification resistant
- High-quality synthetic material spring bonnet
- Spring steel adjustment spring
- High-quality, high-temperature resistant synthetic material check valve cartridge
- Fibre-reinforced NBR diaphragm
- Seals made of NBR

Application

The VF 04 filling valve permit simple and safe filling or refilling of a closed heating system.

A pressure reducing valve, a check valve and a shutoff facility are combined in one unit. The pressure gauge connection enables fitting of a pressure gauge (available as an accessory) to provide accurate checking of the pressure of a system after filling.

Special Features

- Housing with internal and external threads
- Outlet pressure adjustable with green adjustment knob
- Green adjustment knob can also be used for shutoff facility
- Simple construction
- DIN/DVGW approved check valve
- Inlet pressure balancing - fluctuating inlet pressure does not influence outlet pressure
- Integral shutoff facility
- Alternative connections

Range of Application

Closed heating systems to DIN 4751

Technical Data

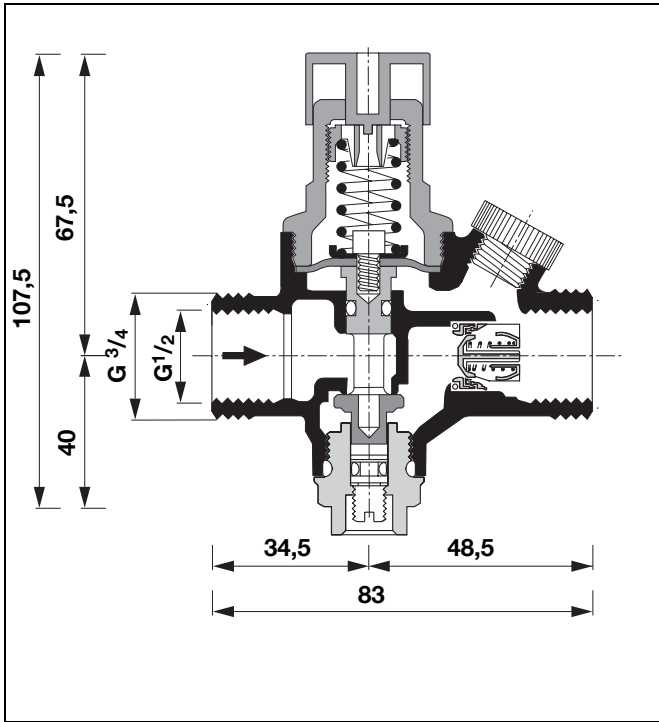
Operating temperature max. 40°C accord. to DIN EN 1567

Operating pressure max. 16 bar

Outlet pressure 1.5 bar to 6.0 bar adjustable

Connections Inlet R $1/2$ " internal and R $3/4$ " external threads

Outlet R $1/2$ " internal and R $3/4$ " external threads

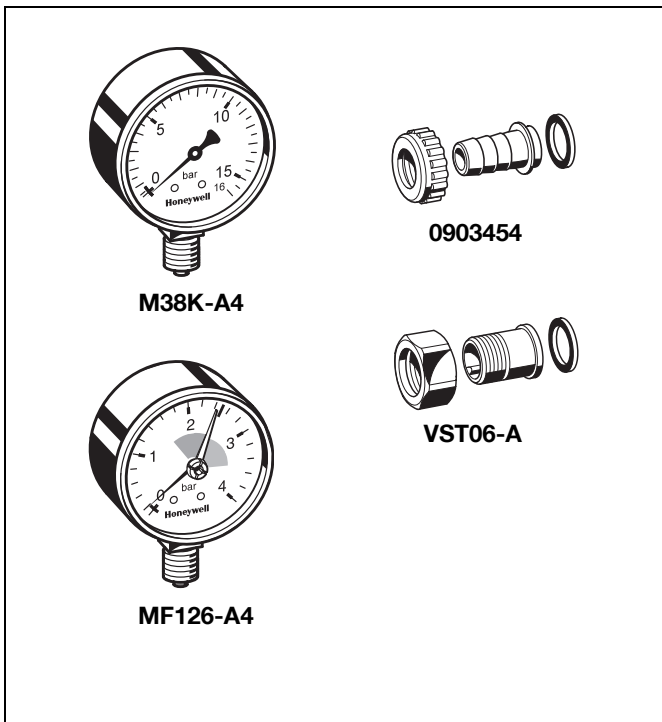


Method of Operation

The integral pressure reducing valve operates by means of a force equalising system. The force of a diaphragm operates against the force of an adjustment spring. The inlet pressure does not influence either opening or closing of the valve. Inlet pressure fluctuations do not therefore influence the outlet pressure, thus providing inlet pressure compensation. An integral check valve protects the drinking water supply by allowing water to pass through in only one direction. In the flow direction, a seal disc is pushed open against the force of a spring by differential pressure.

Options

VF04-1/2E = With internal and external threads



Accessories

M38K Pressure gauge

Housing diameter 50 mm, below connection thread G 1/4". Ranges: 0 - 4, 0 - 10, 0 - 16 or 0 - 25 bar. Please indicate upper value of pressure range when ordering

MF126-A4 Pressure gauge

Housing diameter 63 mm, connection thread G 1/4", range 0 - 4 bar, with red hand at 1.5 bar, red mark at 2.5 bar and green field between 1.5 and 2.5 bar

0903454 Hose connector union complete

With hose connector union, screw and gasket ring

VST06-A Connection set

Threaded connections

Automation and Control Solutions

Honeywell GmbH
 Hardhofweg
 D-74821 Mosbach
 Phone: (49) 6261 810
 Fax: (49) 6261 81309
<http://europe.hbc.honeywell.com>
www.honeywell.com

Manufactured for and on behalf of the
 Environmental and Combustion Controls Division
 of Honeywell Technologies Sàrl, Z.A. La Pièce 16,
 1180 Rolle, Switzerland by its Authorised Representative Honeywell GmbH

ENOH-1022GE23 R1010
 Änderungen vorbehalten
 © 2010 Honeywell GmbH

Honeywell