

T7425A,B IMMERSION TEMPERATURE SENSOR

PRODUCT DATA



GENERAL

The T7425A,B Immersion Temperature Sensor is used in heating, cooling or domestic hot water applications requiring fast response temperature measurement.

TYPES

OS no.	Description	Sensing range
T7425A1005	sensor element: NTC20kΩ sensor length: 75 mm	-20...+140 °C (-4...+284 °F)
T7425A1013	sensor element: NTC20kΩ sensor length: 220 mm	-20...+140 °C (-4...+284 °F)
T7425A1021	sensor element: NTC20kΩ sensor length: 300mm	-20...+140 °C (-4...+284 °F)
T7425B1011	sensor element: PT1000 sensor length: 75 mm	-20...+300 °C (-4...+572 °F)
T7425B1029	sensor element: PT1000 sensor length: 220 mm	-20...+300 °C (-4...+572 °F)

FEATURES

- Fast response time
- Operating range of
-20...+140 °C (T7425A) or
-20...+300 °C (T7425B)
- Easy installation
- Adjustable well length
- Stainless steel body material

SPECIFICATIONS

Nominal value

T7425A (NTC20kΩ)	20 kΩ at 25 °C
T7425B (PT1000)	1000 Ω at 0 °C

Accuracy

T7425A (NTC20kΩ)	0.3 K +1% • t - 25 °C (t in °C)
T7425B (PT1000)	IEC751 Class B
	0.3 K +0.5% • t (t in °C)

Sensitivity

T7425A (NTC20kΩ)	≈ -934.5 Ω / K at 25 °C (non-linear)
T7425B (PT1000)	≈ 3.85 Ω / K

Response time

τ _{0.5} = 2 seconds (T7425A)
τ _{0.5} = 2.5 seconds (T7425B)

Well

Pressure rating	PN16 (nominal)
-----------------	----------------

Maximum medium velocity

75 mm length	20 m/s
220 mm length	10 m/s
300 mm length	7 m/s

Medium

Mineral and synthetic oil, glycol-water mixture, domestic hot water, swimming pool water

Material

Stainless steel, 1.4571

Dimensions

ø 4 mm, length ~ 75/220/300 mm

Outlet size

R1/2"

Tightening torque

10 ±2 Nm, 10-mm wrench

Cable

Length	2.5 m
--------	-------

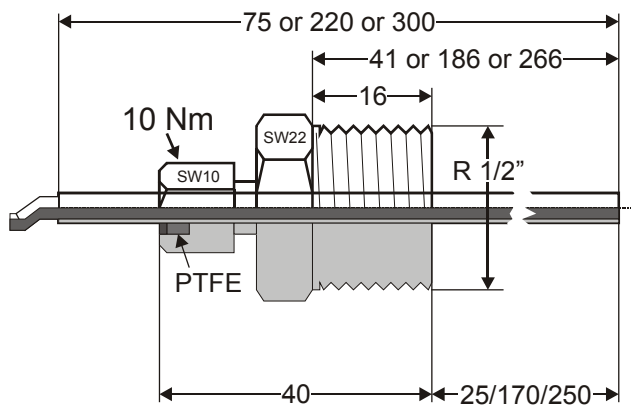
Protection class

IP 65

ELECTRICAL CONNECTION

The wiring of the temperature sensor must be in accordance with the overall wiring circuit diagram. The terminals are not polarized; thus, even if the wires are connected in reverse, no malfunction will occur.

DIMENSIONS



Honeywell

Control Products

Honeywell AG
Böblinger Straße 17
D-71101 Schönaich
Phone: (49) 7031 63701
Fax: (49) 7031 637493
<http://europe.hbc.honeywell.com>

Subject to change without notice. Printed in Germany

EN0B-0117GE51 R0902
107157280

Manufacturing location certified to

DIN EN ISO
9001/14001