

SERIES CDT | CARBON DIOXIDE/TEMPERATURE TRANSMITTERS

FEATURES/BENEFITS

- Single beam dual wavelength NDIR sensor eliminates drift due to light source aging offering long time stability, especially when used in areas that can be occupied 24 hours a day
- Integral passive temperature outputs reduce number of devices mounted in the space
- Integral display and relay output options to meet building requirements
- Service display tool available for models without an integral LCD - helps save time during set-up and commissioning

APPLICATIONS

- Demand control ventilation in schools, office buildings, hospitals, and other indoor environments
- LEED® certification

DESCRIPTION

The **Series CDT Carbon Dioxide and Temperature Transmitters** accurately monitor the CO2 concentration and temperature in indoor environments to help achieve energy savings. For increased sensor accuracy, a single beam dual wavelength non-dispersive infrared (NDIR) sensor is used to automatically correct the measurement in both occupied and unoccupied buildings against light source aging effects. The single beam dual wavelength sensor technology provides the highest level of accuracy compared to Automatic Baseline Correction methods which can unintentionally shift the calibration based on CO2 levels and barometric pressure conditions. In order to achieve a higher level of accuracy, the Series CDT includes digital barometric pressure adjustment and the ability to field-calibrate the sensor.

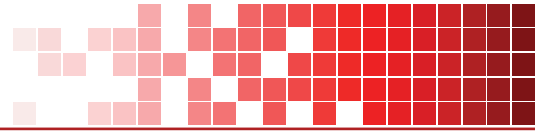
For applications that require visual indication, the wall mount configurations of the Series CDT can be ordered with an integral LCD display. Push buttons are standard on all configurations of the transmitters for access to the menu structure, but wall mount configurations can be ordered without the buttons. To prevent tampering, the action of the buttons can be locked out using an internal dip switch selection.



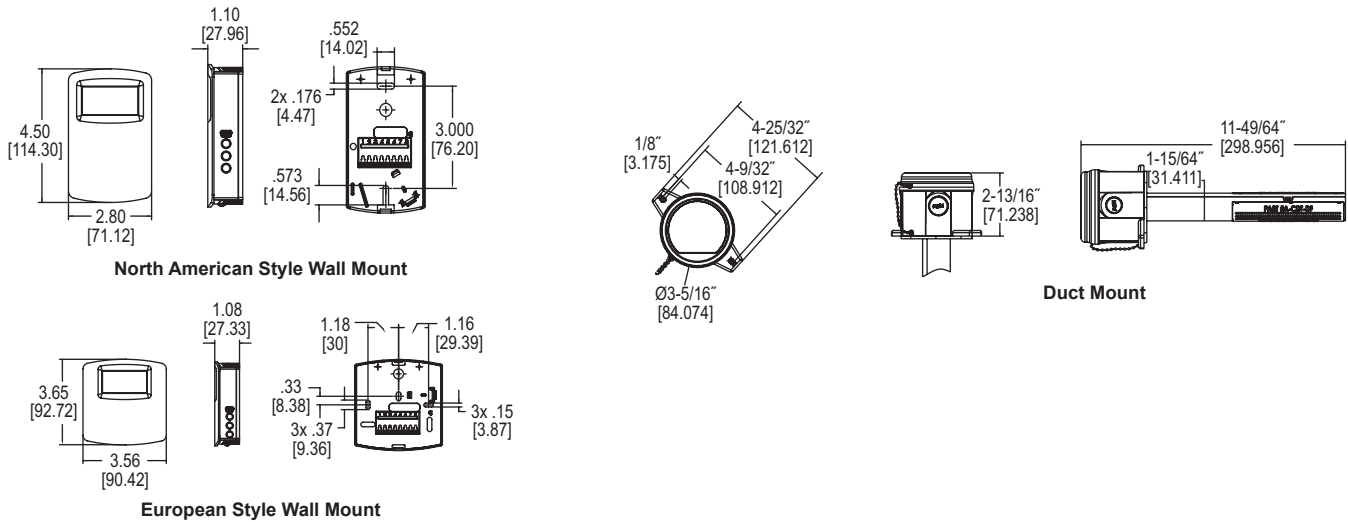
SPECIFICATIONS

| | |
|--------------------------------|-----------------------------------------------------------------------------------------------------------------------|
| Sensor | Single beam, dual wavelength NDIR. |
| Range | CO2: 0 to 2000 or 0 to 5000 ppm (depending on model); Temperature: 32 to 122°F (0 to 50°C). |
| Accuracy | CO2: ±40 ppm ±3% of reading; Temperature: ±1°C @ 25°C. |
| Temperature Dependence | ±8 ppm/°C at 1100 ppm. |
| Non-Linearity | 16 ppm. |
| Pressure Dependence | 0.13% of reading per mm of Hg. |
| Response Time | 2 min for 99% step change. |
| Duct Air Velocity Range | 0-4000 FPM (20.32 m/s). |
| Temperature Limits | 32 to 122°F (0 to 50°C). |
| Humidity Limits | 10 to 95% RH (non-condensing). |
| Power Requirements | 16 to 35 VDC or 19 to 28 VAC. |
| Power Consumption | Average: 2 w; Peak: 3.75 w. |
| Output | Current: 4 to 20 mA (max. 500 Ω); Voltage: 0 to 5 VDC or 0 to 10 VDC (min. 500 Ω); Relay: SPST NO rated 2 A @ 30 VDC. |
| Weight | 4.4 oz (125 g). |
| Enclosure Rating | Duct mount: NEMA 4X (IP66) for housing only; Wall mount: IP20. |
| Agency Approvals | CE. |





DIMENSIONS



HOW TO ORDER

Use the **bold** characters from the chart below to construct a product code.

| | | |
|----------------------------------------------------------------------------------------------------------------------------------------------------------------------------------------------------------------------------------------------------------------------------------------------------------------------------------------------------------------------------------------------------------------------------------------------------------------------|------------------------------------------------------------------------------|--------------------------------------------------------------------------------------------------------------------------------------------------------------------------------------------------------------------------------------------------------------------------------------------------------------------------------------------------------------------------------------------------------------------------------------------------------------------------------------------------------------------|
| <p>SERIES _____</p> <p>CDT - Carbon dioxide/temperature transmitter</p> <p>RANGE _____</p> <p>-2 - 0 to 2000 ppm CO₂ range -5 - 0 to 5000 ppm CO₂ range</p> <p>CONFIGURATION _____</p> <p>N - North American style wall mount E - European style wall mount D - Duct mount</p> <p>CO₂ _____</p> <p>4 - 4 to 20 mA / 0 to (5 or 10) VDC</p> | <p>CDT -2 N 4 4 -LCD</p> | <p>OPTIONS</p> <p>-FC - Factory calibration certificate -LCD - LCD display (wall only) -RLY - Relay -NBC - No buttons (wall only)</p> <p>TEMPERATURE OUTPUT</p> <p>0 - None 4 - 4 to 20 mA / 0 to (5 or 10) VDC A - 10 KΩ NTC thermistor type III B - 10 KΩ NTC thermistor type II C - 3 KΩ NTC thermistor D - Pt100 Ω RTD E - Pt1000 Ω RTD F - 20 KΩ NTC thermistor</p> |
|----------------------------------------------------------------------------------------------------------------------------------------------------------------------------------------------------------------------------------------------------------------------------------------------------------------------------------------------------------------------------------------------------------------------------------------------------------------------|------------------------------------------------------------------------------|--------------------------------------------------------------------------------------------------------------------------------------------------------------------------------------------------------------------------------------------------------------------------------------------------------------------------------------------------------------------------------------------------------------------------------------------------------------------------------------------------------------------|

ACCESSORIES

| Model | Description |
|--------------------------|------------------------------------------------------------------------------------------------------------------------------------------------------------------------------------------------------------------------|
| GCK-200CO-2000CO2 | Calibration gas kit includes a 99.99% nitrogen gas cylinder for calibrating the zero point and a 200 PPM CO / 2000 PPM CO ₂ gas cylinder for calibrating the span point on Dwyer's gas sensing transmitters |
| A-449 | Remote LCD display allows remote indication of select Dwyer® wall mount transmitters for validation or certification purposes |
| A-449A | Remote LCD display with buttons allows remote indication and calibration of select Dwyer® wall mount and duct mount transmitters for validation and certification purposes |
| A-CDT-KIT | Accessory kit including terminal block and power supply |

Important Notice: Dwyer Instruments, Inc. reserves the right to make changes to or discontinue any product or service identified in this publication without notice. Dwyer advises its customers to obtain the latest version of the relevant information to verify, before placing any orders, that the information being relied upon is current.

