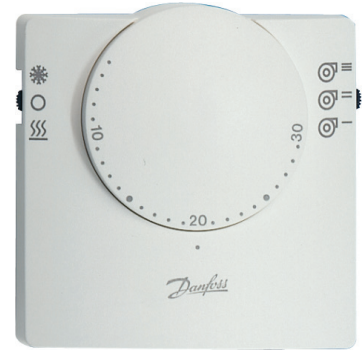


RET230 Electronic Room Thermostats with Function Switches

Features



RET230 C01



RET230 C03

- *Wide range of application options*
- *Compact design*
- *Electronic accuracy*
- *Wallplate construction*
- *LED status indicators*

This range of thermostats is aimed primarily at the heating and air conditioning market, where there is a demand for enhanced functionality. All models feature different combinations of supplementary function switches which are accessible to the user.

RET230 LS: This thermostat, which can be used in either heating or cooling systems, incorporates a manual switch which allows the thermostat output to be switched off.

RET230 C3: Designed for use with cooling only fan coil units, the RET230 C3 incorporates a combined system isolation switch and Fan Auto/Fan Continuous switch. The latter allows the user to decide if the fan should run continuously or only when there is a demand for cooling. A second three position switch allows the user to select one of three fan speed settings.

RET230 C02: Designed for use in two-pipe changeover fan coil unit systems, the RET230 C02 incorporates a manual Heating/Cooling (Winter/Summer) switch which allows the thermostat to operate as a cooling thermostat in the summer and a heating thermostat in the winter. A second two position switch allows the user to turn the thermostat output off if so desired.

RET230C03: Designed for use in two-pipe changeover fan coil unit systems, the RET230 C03 incorporates a manual Heating/Off/Cooling (Winter/Off/Summer) switch which allows the thermostat to operate as a cooling thermostat in the summer and a heating thermostat in the winter. A second three position switch allows the user to select one of three fan speed settings.

Datasheet

RET230 Electronic Room Thermostat with Switches

Specifications

Thermostat for use in systems having central changeover from heating to cooling

RET230 Electronic Thermostats with function switches	RET230C02	RET230C03
Order Codes	087N702200	087N703200
Heating/Cooling thermostat for changeover systems	•	•
System Off/Auto Selector	•	
Summer/Off/Winter (Heating/Off/Cooling) selector		• (1)
Summer/Winter (Heating/Cooling) selector	•	
3 speed fan switch output terminals		•
Single speed fan output terminal	•	
Switching Differential	<1K	
Operating Voltage	220/240 Vac, 50/60 Hz	
Switch Rating	2 (1) A	
Temperature Range	5-30°C	
Dimensions (mm)	85 wide x 87 high x 42 deep	

(1) Switch label based on symbols

Thermostat for use in non-changeover systems

RET230 Electronic Thermostats with function switches	RET230C3	RET230LS
Order Codes	087N702300	087N700700
Cooling thermostat	•	
Heating or Cooling thermostat		• (2)
Fan Auto/Continuous switch with system Off selector	•	
System Off/Auto selector		•
Power On and thermostat calling LEDs	•	•
3 speed fan switch output terminals	•	
Switching Differential	<1K	
Operating Voltage	220/240 Vac, 50/60 Hz	
Switch Rating	2 (1) A	
Temperature Range	5-30°C	
Dimensions (mm)	85 wide x 87 high x 42 deep	

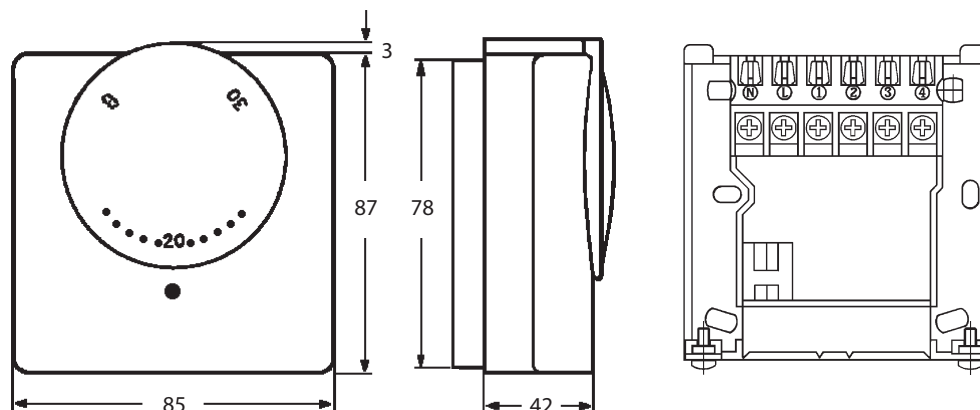
(2) RET230LS has SPDT contacts and can be used in heating or cooling systems

ErP Class

ERP Class		
The products represented within this document are classified according to, and allow completion of, the Energy Related Product (ErP) Directive System Package fiche and the ErP system data label. ErP Labelling obligation is applicable from 26th September 2015.		
ErP Class	Product Function and ErP Description	Additional efficiency gain
I	On/Off Room Thermostat A room thermostat that controls the on/off operation of a heater.	1%

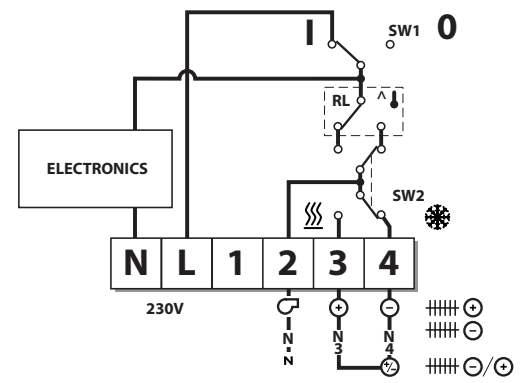
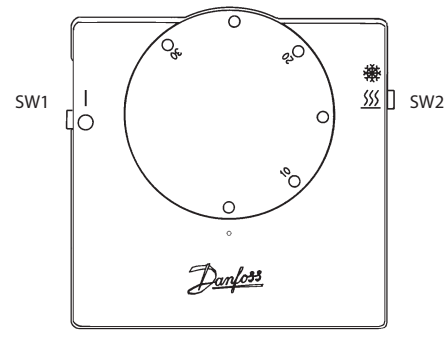


Dimensions

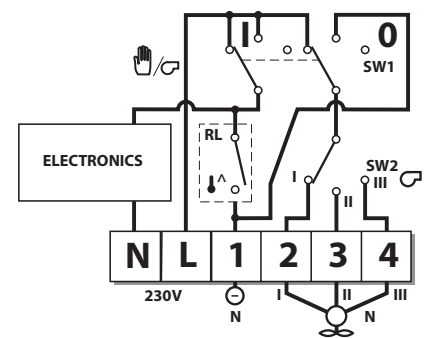
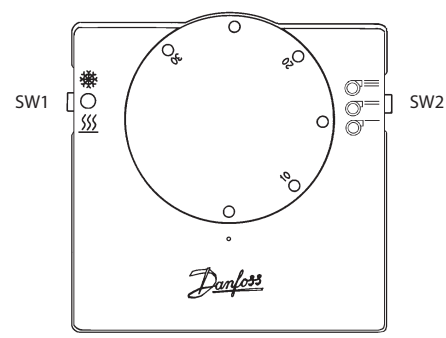


Datasheet RET230 Electronic Room Thermostat with Switches

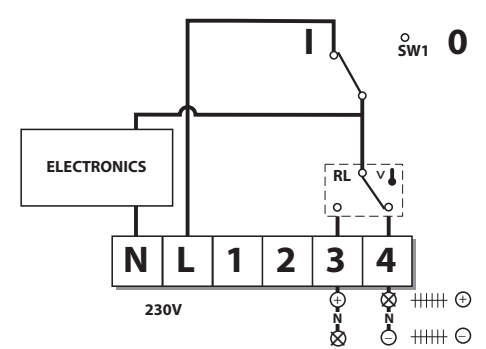
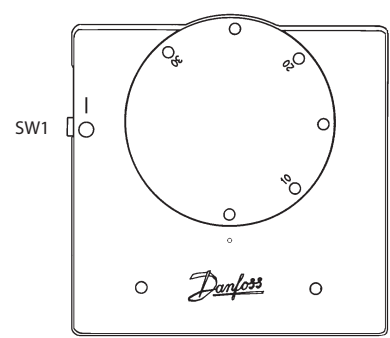
RET230 C02



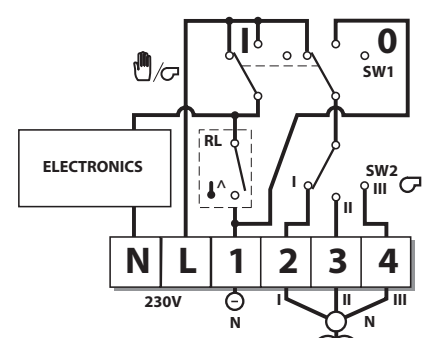
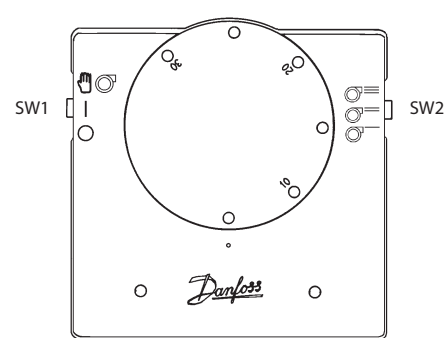
RET230 C03



RET230 LS



RET230 C3



**Danfoss Ltd.**

Ampthill Road
Bedford MK42 9ER
Tel: 01234 364621
Fax: 01234 219705
Email: ukheating@danfoss.com
Website: www.heating.danfoss.co.uk

Danfoss can accept no responsibility for possible errors in catalogues, brochures, and other printed material. Danfoss reserves the right to alter its products without notice. This also applies to products already on order provided that such alterations can be made without subsequent changes being necessary in specifications already agreed.
All trademarks in this material are property of the respective companies. Danfoss and the Danfoss logotype are trademarks of Danfoss A/S. All rights reserved.
