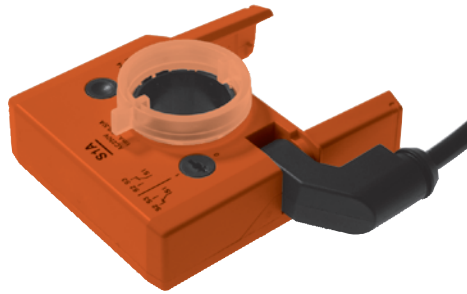


Feedback potentiometers,  
suitable for all damper actuators  
LM..A.., NM..A.., SM..A.. and GM..A..

- Resistance 140, 500,  
1'000, 2'800, 5'000 oder 10'000 Ω



### Overview of types

	Type	Resistance	Type	Resistance
Housing color: orange	P140A	140 Ω	P2800A	2'800 Ω
	P500A	500 Ω	P5000A	5'000 Ω
	P1000A	1'000 Ω	P10000A	10'000 Ω
Housing color: gray	P140A GR	140 Ω	P2800A GR	2'800 Ω
	P500A GR	500 Ω	P5000A GR	5'000 Ω
	P1000A GR	1'000 Ω	P10000A GR	10'000 Ω

### Technical data

<b>Functional data</b>	Resistances	See «Overview of types»
	Tolerance	±5%
	Loading capacity	1 W
	Linearity	±2%
	Resolution	Min. 1%
	Residual resistance	Max. 5% on both sides
	Connection	Cable 1 m, 3 x 0.75 mm <sup>2</sup>
<b>Safety</b>	Protection class	III Safety extra-low voltage
	Degree of protection	IP54
	Mode of operation	Type 1 (to EN 60730-1)
	Ambient temperature range	-30 ... +50 °C
	Non-operating temperature	-40 ... +80 °C
	Ambient humidity range	95% r.H., non-condensating (EN 60730-1)
	Maintenance	Maintenance-free
<b>Dimensions / Weight</b>	Dimensions (L x W x H)	101 x 76 x 27 mm
	Weight	Approx. 130 g

### Safety notes



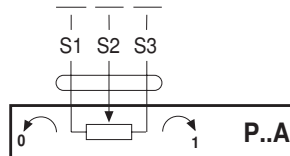
- The feedback potentiometers are not allowed to be used outside the specified field of application, especially in aircraft or in any other airborne means of transport.
- Assembly must be carried out by trained personnel. Any legal regulations or regulations issued by authorities must be observed during assembly.
- The device may only be opened at the manufacturer's site. It does not contain any parts that can be replaced or repaired by the user.
- The cable must not be removed from the device.
- The device contains electrical and electronic components and is not allowed to be disposed of as household refuse. All locally valid regulations and requirements must be observed.

**Product features**

- Application** P..A feedback potentiometers are used for modulating damper controls in conjunction with rigid feedback controllers. In combination with standard systems, these potentiometers are also used as damper position indicators or as positioners for actuators operated in parallel.
- Mode of operation** A form-fit engagement is created between a driver disc and the clamp, causing the rotary movement of the damper actuator to be directly transferred to the feedback potentiometer.
- Mounting** The feedback potentiometers are attached directly to the clamp of the damper actuator. The guiding grooves between the housing and the switch ensure a tightly sealing fit.

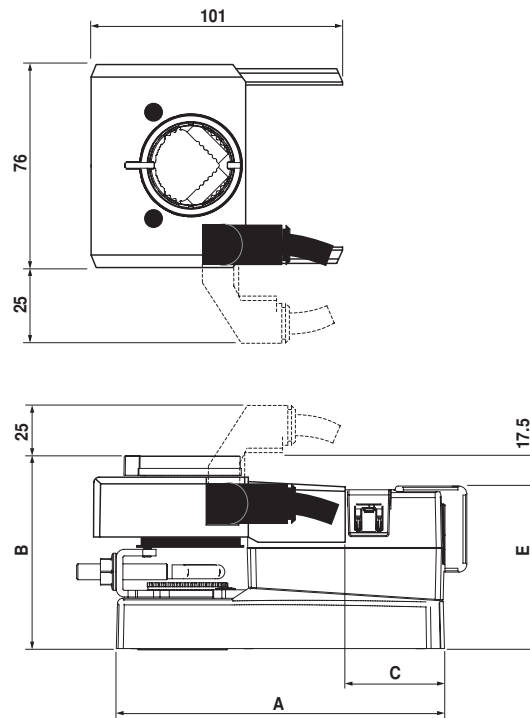
**Electrical installation**

Wiring diagrams

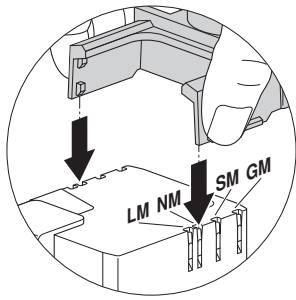


**Dimensions [mm]**

Dimensional diagrams

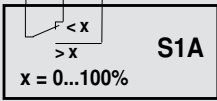


with actuator	A	B	C	E
LM..A..	116	76.5	36	59
NM..A..	124	77.5	41	60
SM..A..	139	79.5	51	62
GM..A..	179	85.5	62.5	68

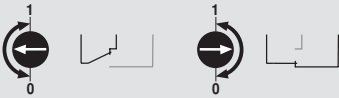
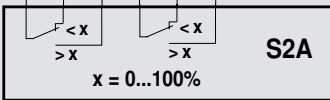


**S..A..**

S1 S2 S3

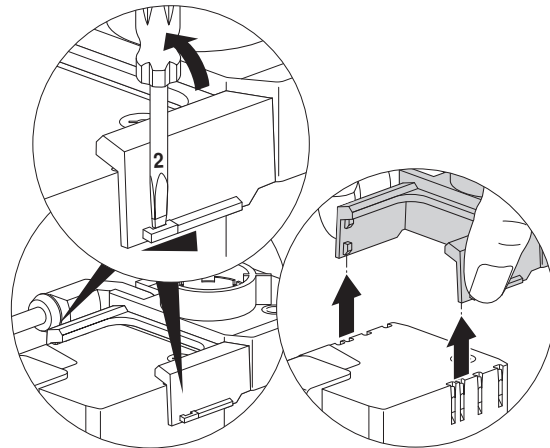
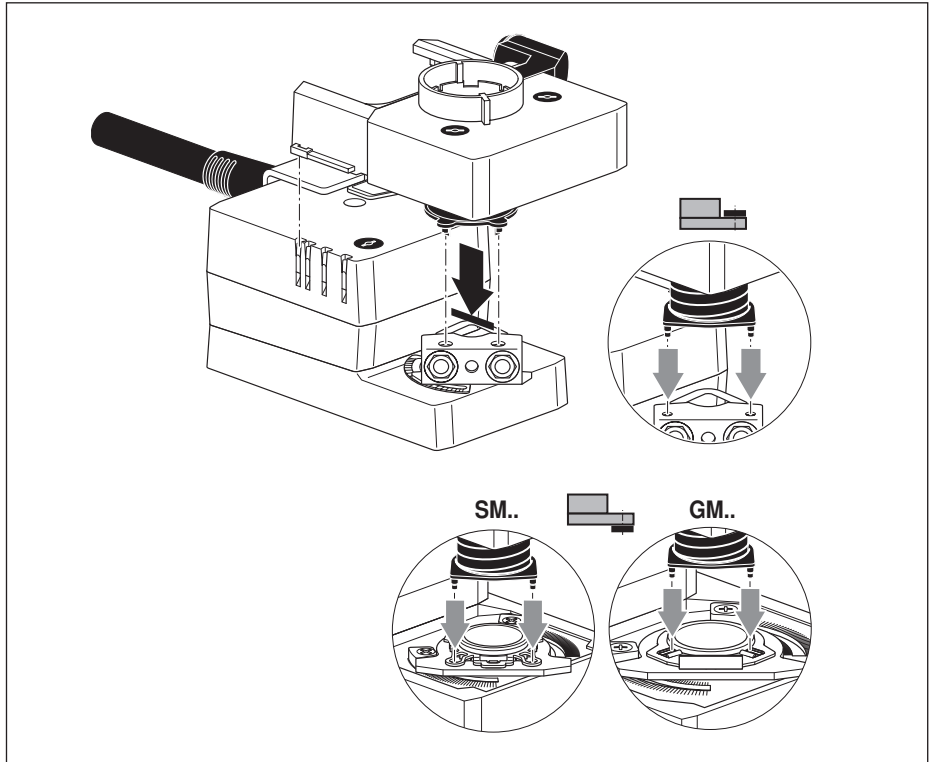


S1 S2 S3 S4 S5 S6

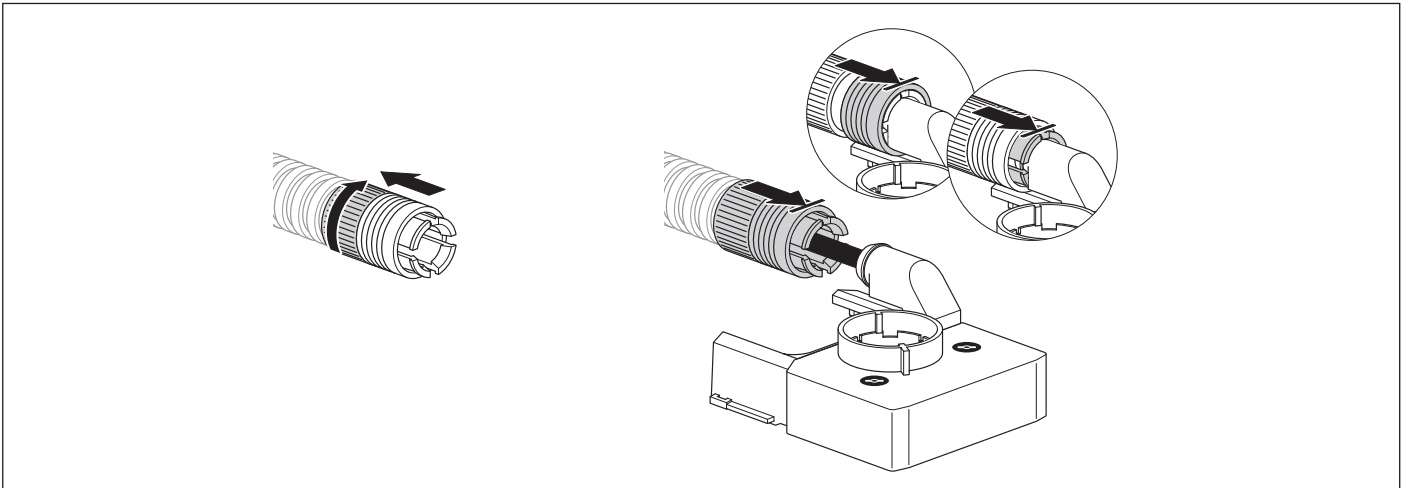


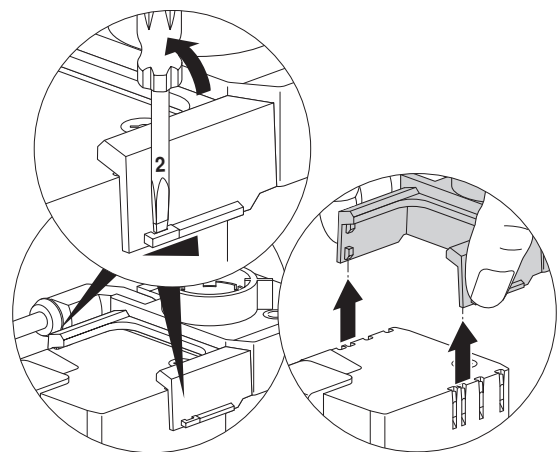
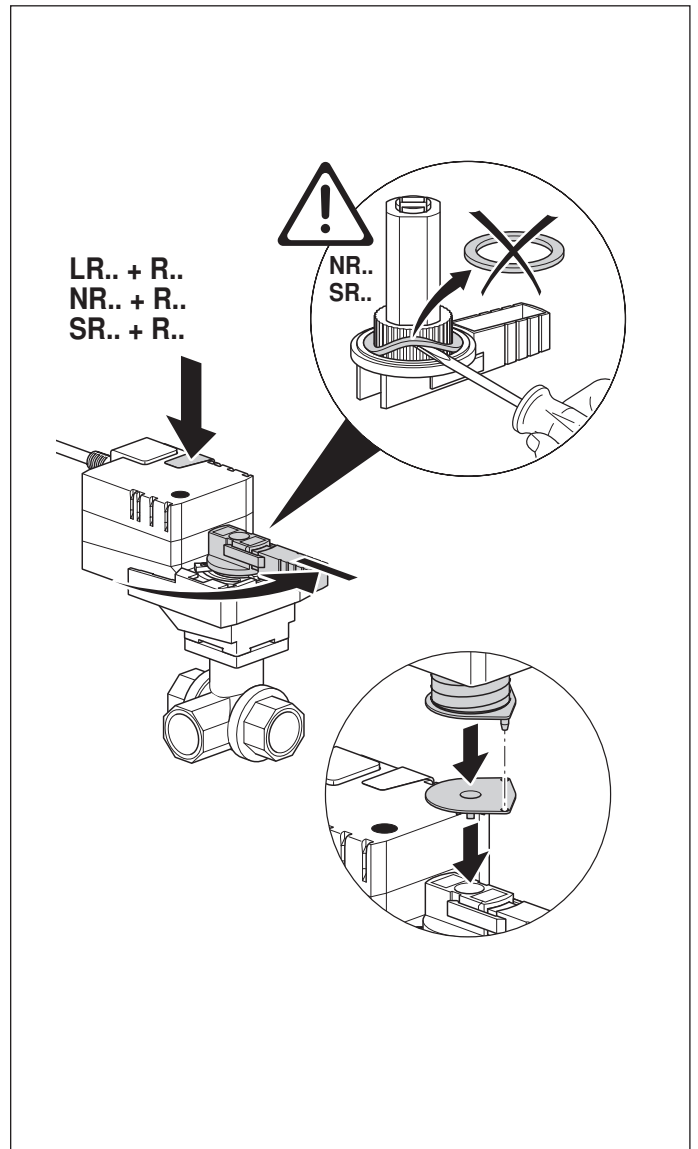
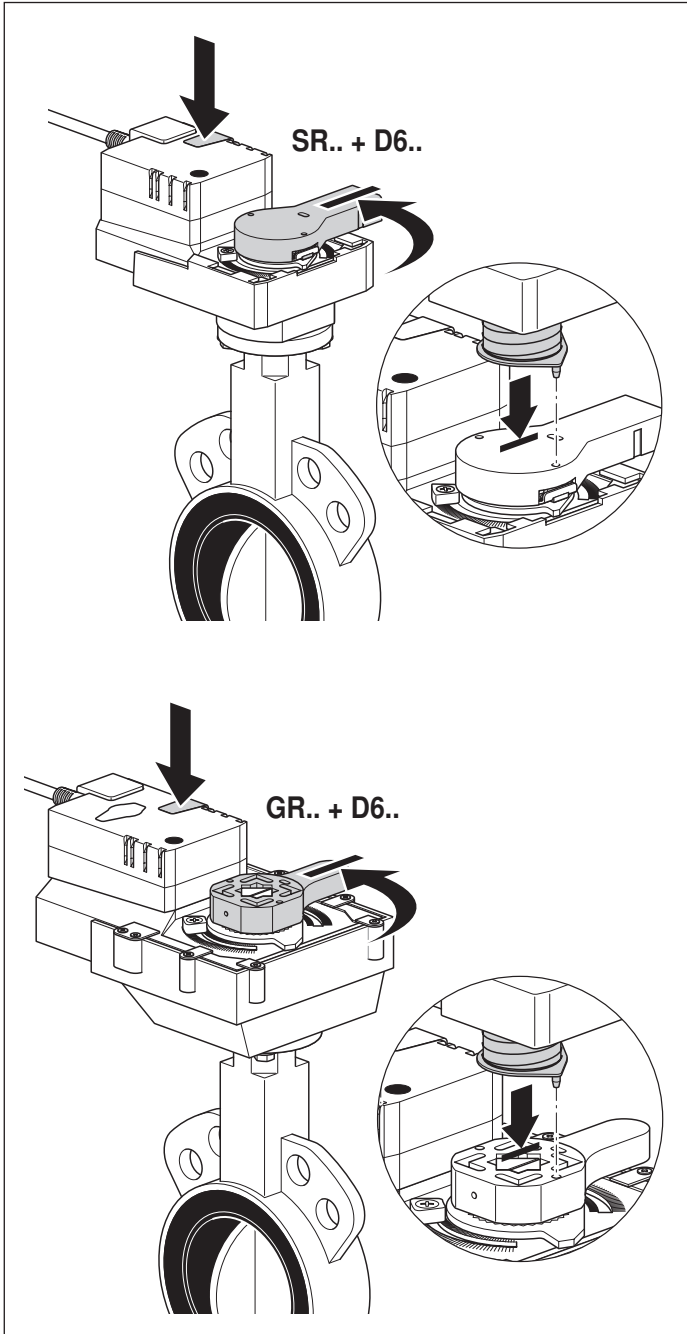
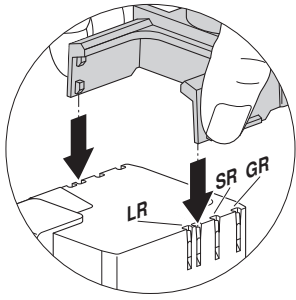
**P..A..**

S1 S2 S3



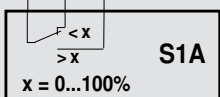
**10040-00001**





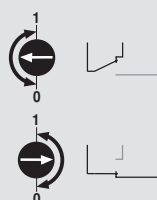
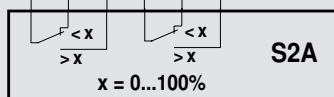
**S1A..**

S1 S2 S3



**S2A..**

S1 S2 S3 S4 S5 S6



**P.A..**

S1 S2 S3

