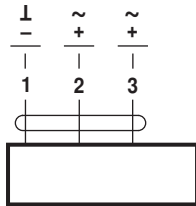
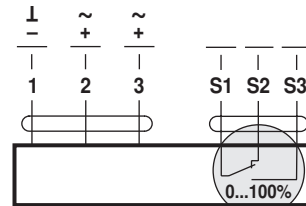


AC 24 V / DC 24 V

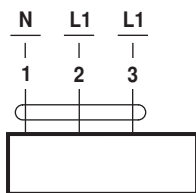


..R24A

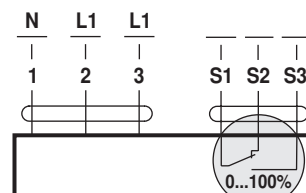


..R24A-S

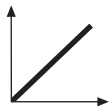
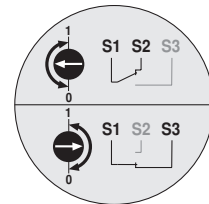
AC 100...240 V ⚠



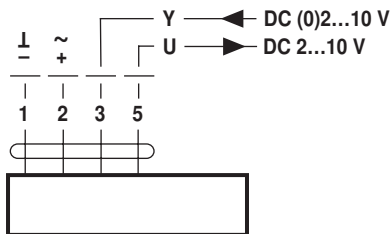
..R230A



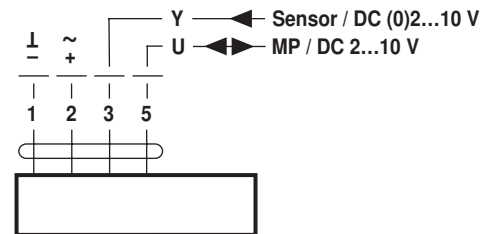
..R230A-S



AC 24 V / DC 24 V

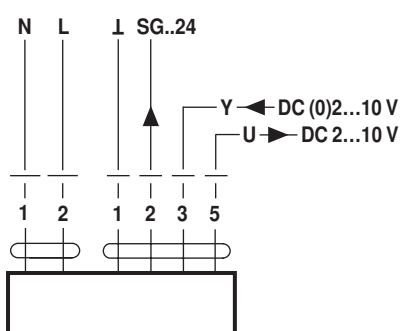


..R(C)24A-SR  
..R24A-MF

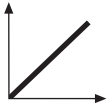


..R24A-MP

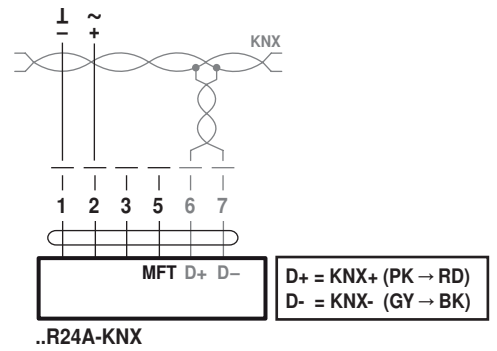
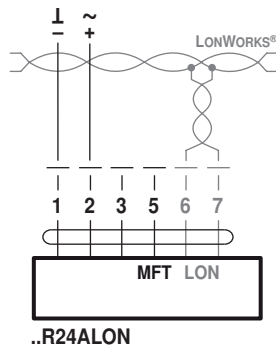
AC 100...240 V ⚠



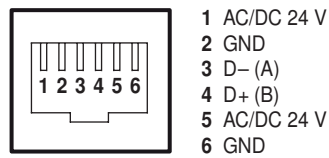
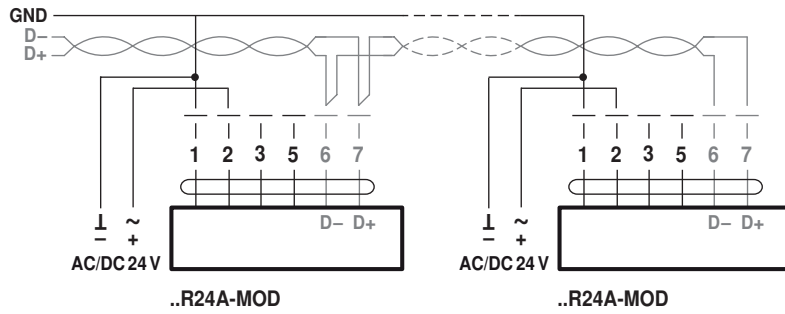
..R230ASR



AC 24 V / DC 24 V

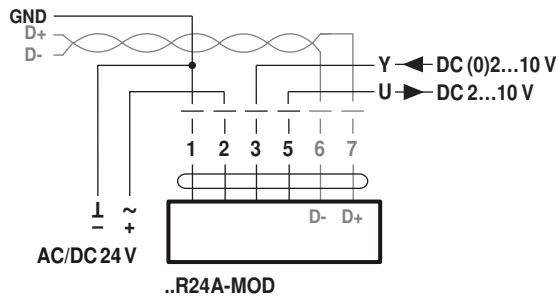


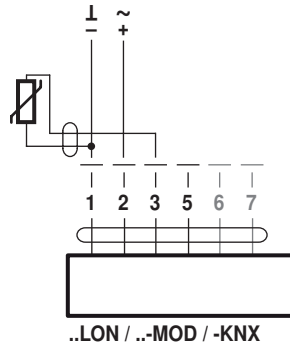
BACnet MS/TP / Modbus RTU



..R24A-MOD-J6

BACnet MS/TP / Modbus RTU / analog





<b>Ni1000</b>	-28...+98°C	850...1600 Ω <sup>2)</sup>
<b>PT1000</b>	-35...+155°C	850...1600 Ω <sup>2)</sup>
<b>NTC</b>	-10...+160°C <sup>1)</sup>	200 Ω...60 kΩ <sup>2)</sup>

