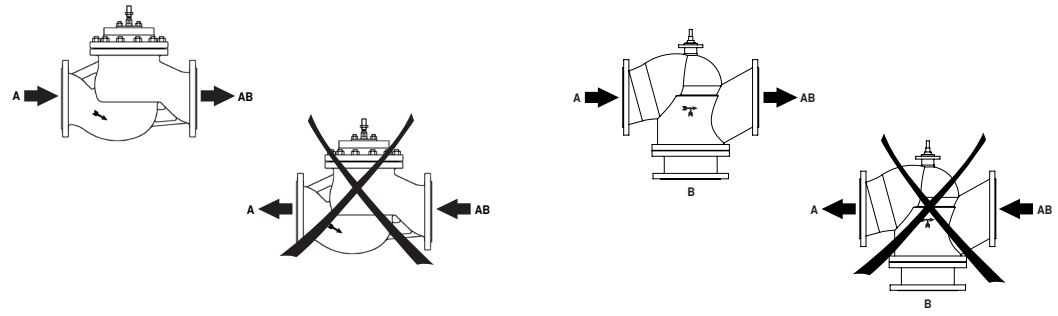
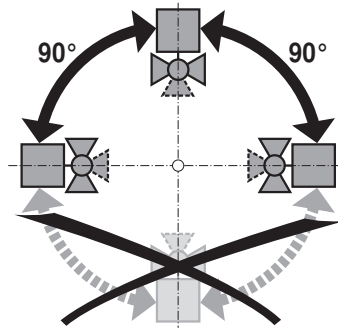


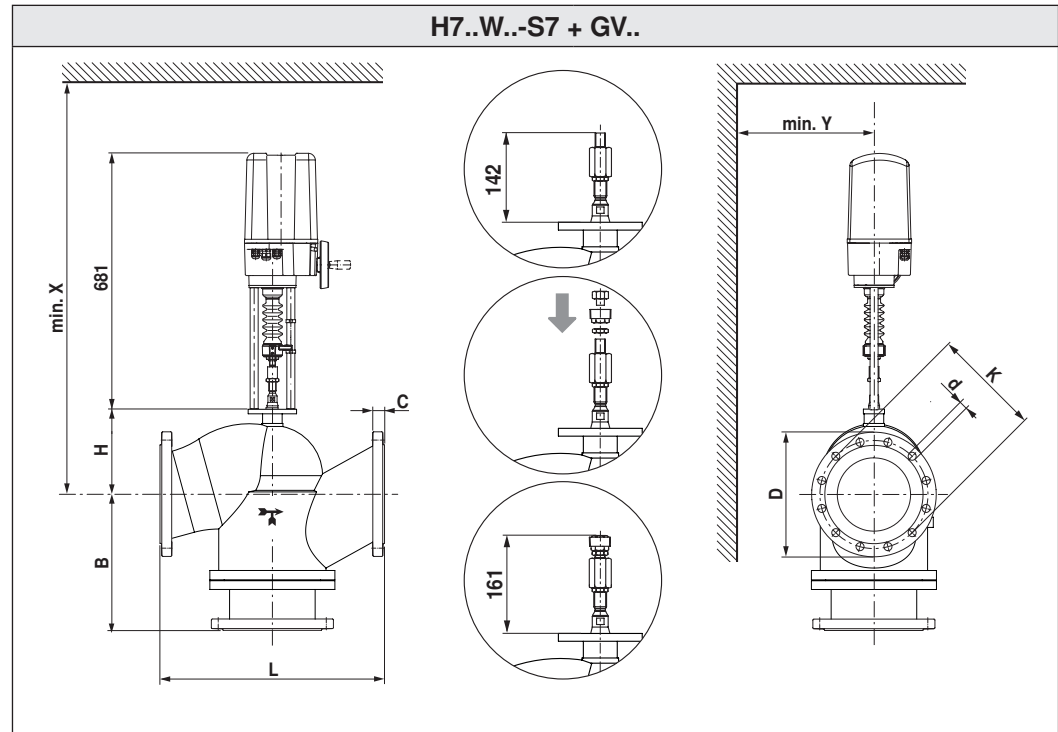
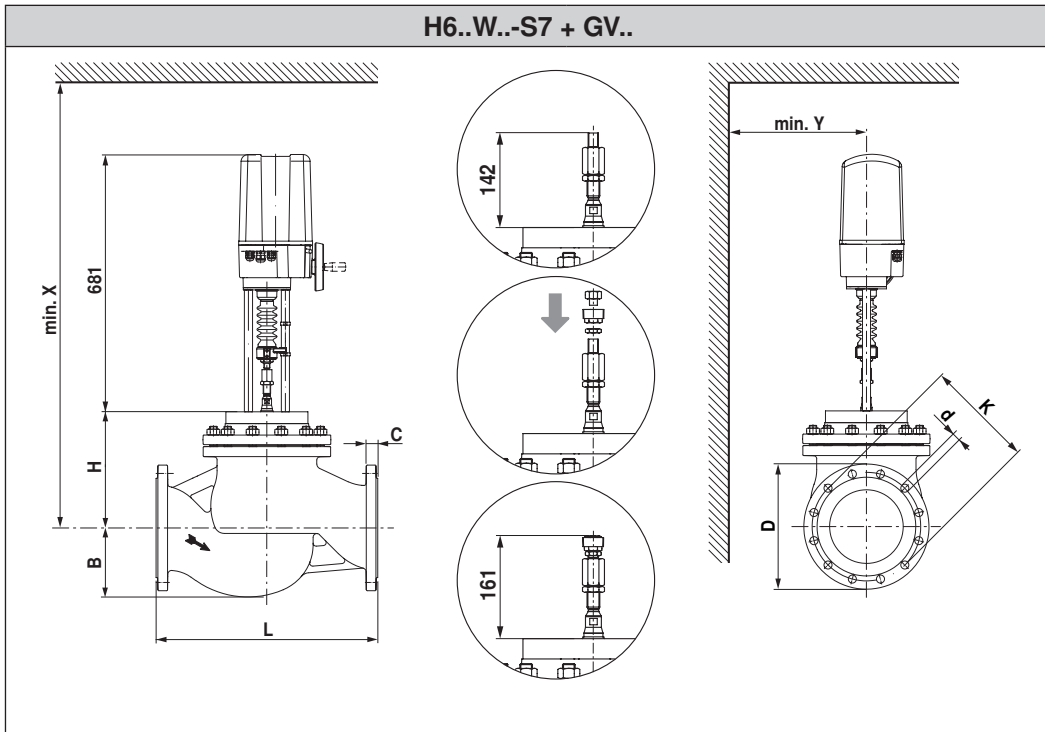
**BELIMO**

H6..W..-S7  
H7..W..-S7



		H6..W..-S7				H7..W..-S7												
ps < 1600 kPa (PN 16)		→ A  AB				→ A  AB B												
t = +5°C ... +120°C																		
Ⓜ	DN		B	H	W		B	H	W	Δps	Δpmax	L	D	K	d	C	X	Y
	[mm]		[mm]	[mm]	[kg]		[mm]	[kg]	[kPa]	[kPa]	[mm]	[mm]	[mm]	[mm]	[mm]	[mm]	[mm]	[mm]
GV..	200	H6200W630-S7	187	315	156	H7200W630-S7	380	263	173	310	60	600	340	295	12 x 22	30	1210	200
	250	H6250W1000-S7	255	375	239	H7250W1000-S7	440	309	283	190	60	730	405	355	12 x 26	32	1270	250

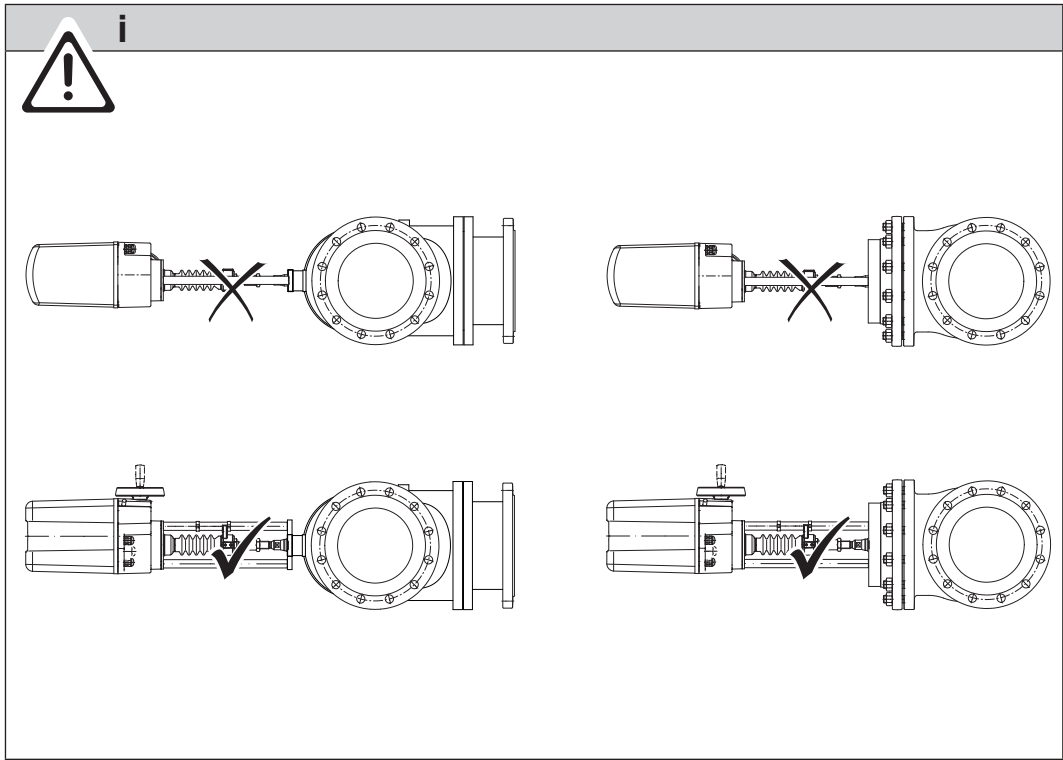
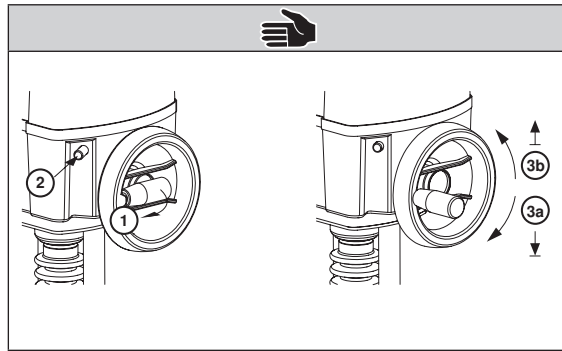
70994-00001..J



**BELIMO**

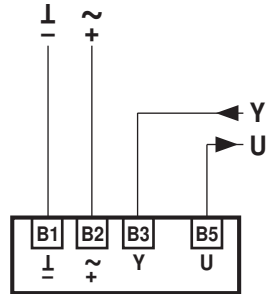


**GV12-24-SR-T**  
**GV12-230-3-T**

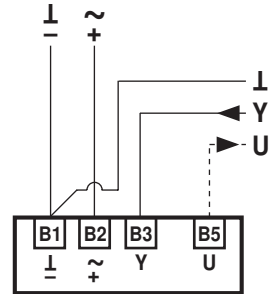


**GV12-24-SR-T**

**AC/DC 24 V**



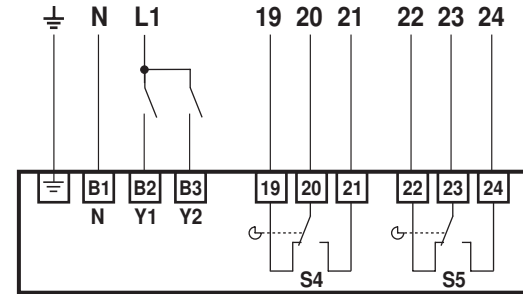
**AC/DC 24 V**



	◀◀	▶▶	A - AB
Y = 0 / 2 V	↓	↑	0%
Y = 10 V	↑	↓	100%

**GV12-230-3-T**

**AC 230 V**



	(M)	A - AB	A - AB
Y1	↓	0%	100%
Y2	↑	100%	0%